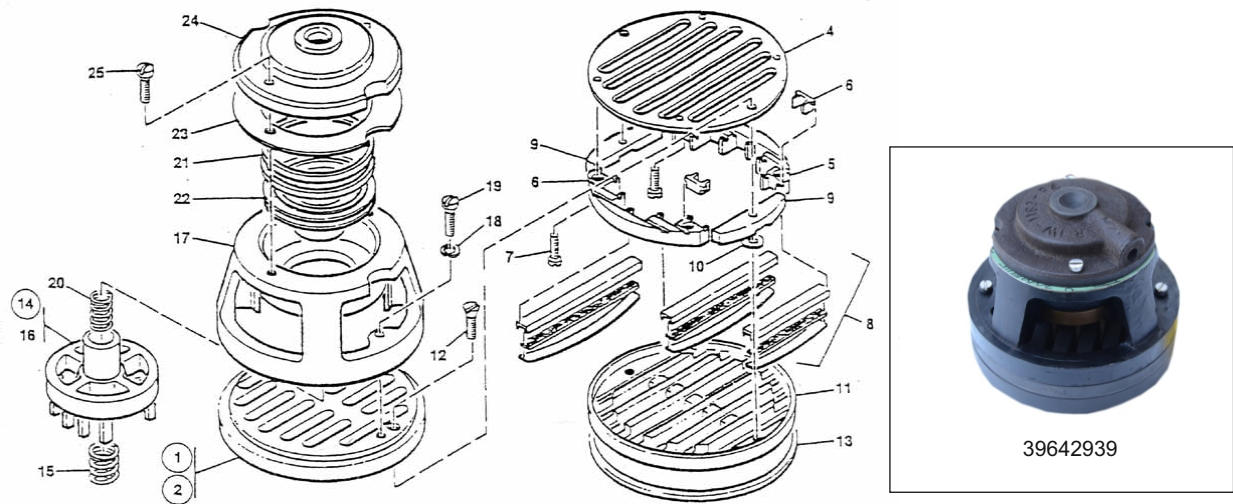


39642939 - VALVE COMPLETE FAU & INLET



No.	Description	Ref Part No.	QTY
-	VALVE COMPLETE FAU & INLET	39642939	-
7-1	- VALVE-INLET COMPL	30405237	1
7-2	-- SEAT COMPL-INLET	37856069	1
7-4	-- PLATE - SEAT	30236285	1
7-5	-- HOLDER - GUIDE	37039351	2
7-6	-- GUIDE - VALVE (BOX OF 24)	37026424	1
7-7	-- SCREW - BUTTON HD	37025988	4
7-8	-- SET - CHAN & SPRING	30393623	1
7-9	-- BALANCER - FLOW	37074200	2
7-10	-- WASHER	37039377	2
7-11	-- STOP PLATE - INLET	30721252	1
7-12	-- SCREW - FLT HD MACHINE	95110581	2
7-13	- GASKET - VLV SEAT	37026556	1
7-14	- UNLOADER-FAU COMPL	30529614	1
7-15	-- SPRING-LIFTING	30576490	1
7-16	-- PLUNGER-UNLOADER	30910186	1
7-17	-- CAGE-UNLOADER	30435218	1
7-18	-- WASHER-LOCK	95081873	2
7-19	-- SCREW-FILL HD MACH	95001707	2
7-20	-- SPRING-UNLOADING	30417000	1
7-21	-- RING-PISTON	37101474	1
7-22	-- PISTON-UNLOADER	30162101	1

39642939 - VALVE COMPLETE FAU & INLET

No.	Description	Ref Part No.	QTY
7-23	-- GASKET-UNLOADER	35155712	1
7-24	-- COVER-UNLOADER	30250906	1
7-25	-- SCREW-FILL HD MACH	95321394	2